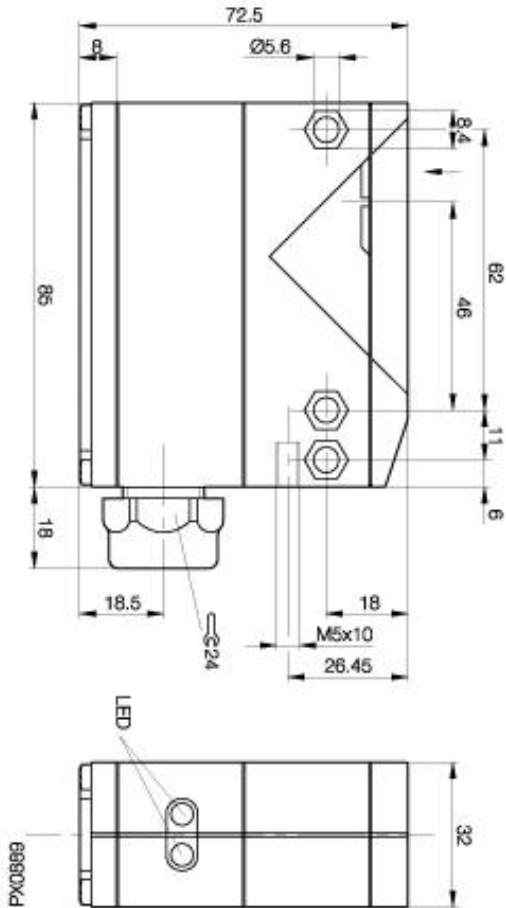


# Photoelectric Sensor BLS 65K-5-G50-2-S 4 Sn=50000mm through-beam



## Common Data

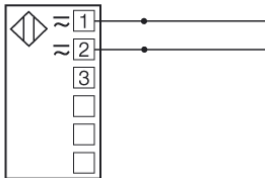
|                                     |                               |
|-------------------------------------|-------------------------------|
| Series                              | 65K                           |
| Sensortype                          | through-beam                  |
| Rated operating distance Sn in mm   | 50000                         |
| asured operating distance Sa        | adjustable                    |
| Repeat accuracy                     | < 5% from Sn                  |
| Hysteresis                          | < 10%                         |
| Indication Switching element on     | yes, red LED                  |
| Indication Special funktion         | LED green Stability indicator |
| Ambient temperature                 | -20...+55°C                   |
| On-delay                            | < 2ms                         |
| Off-delay                           | < 2ms                         |
| Light                               | Infrared                      |
| Blind zone / min Reflector distance | 0/-                           |

## Mechanical Data

|                          |                                 |
|--------------------------|---------------------------------|
| Measurements             | 85x72,5x32                      |
| Shock                    | Halfsinus, 30gn, 11ms           |
| Vibration                | 10...55Hz, 1,5mm Amplitude 3x2h |
| Housing material         | Polycarbonat                    |
| Material of sensing face | PMMA                            |
| Degree of protection     | IP67                            |
| Connection               | Connector S4 (M12)              |
| Weigth                   | 180g                            |
| Recommended connector    | BKS-S 19BKS-S 20                |

## Electrical Data

|                                     |             |
|-------------------------------------|-------------|
| Current                             | DC          |
| Rated operational voltage Ue        | 24V DC      |
| Supply Voltage                      | 10...30V DC |
| Ripple                              | -           |
| Frequency of Supply Voltage         | DC          |
| No-load supply current              | <40mA       |
| Voltage drop                        | <1,5V       |
| Short protection                    | yes         |
| Protected against polarity reversal | no          |
| Rated insulation voltage            | 75V DC      |



Utilization categories  
Insulation class

DC 13

Datasheet number:

Definitions see general catalog.  
If not otherwise noted, ratings according to  
IEC 60947-5-2 (DIN EN60947-5-2)

Balluff GmbH  
Schurwaldstrasse 9  
73765 Neuhausen a.d.F.  
Phone (07158) 173-0 Fax (07158) 5010

Datenblatt by CD-ROM - 04/2007

**BALLUFF**  
sensors worldwide